

# AOPico Montauk Series

Industrial Green picosecond laser

- Maintaining superior performance and reliable long-term power stability
- Pulse energy up to 40μJ
- Wild frequency, outputs >30W@500K
- Low cost integration



## ► Features & Benefits:

The all-in-one design makes the laser more compact and reduces the total weight. It saves space for installation on the customer side, lowers the integration cost and simplifies the installation process. The water-cooled design allows the laser to work reliably in various harsh and extreme environments and makes the laser to be the ideal candidate for the 7x24 non-stop production needs.

The output power of 5W, 20W, 30W, and up to 60W are available for selection. The pulse width is around 10 ps across the repetition rate range of 500k to 1500k. With pulse energy of 40 μJ, burst mode and PoD function, it is the perfect candidate for various application areas, including optical filter cutting, solar cell scribing, ITO scribing, and so on



PI cutting



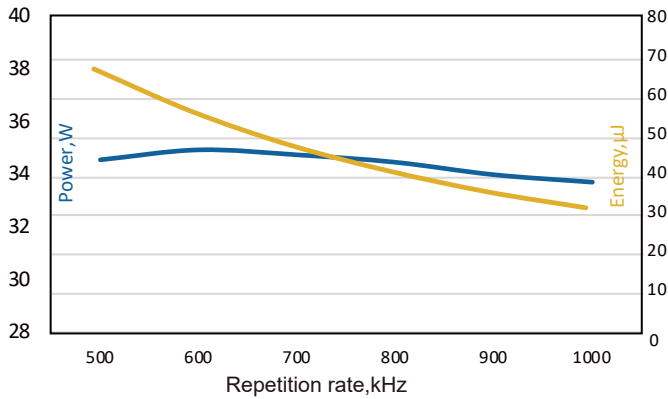
FPC cutting



Solar cell scribing

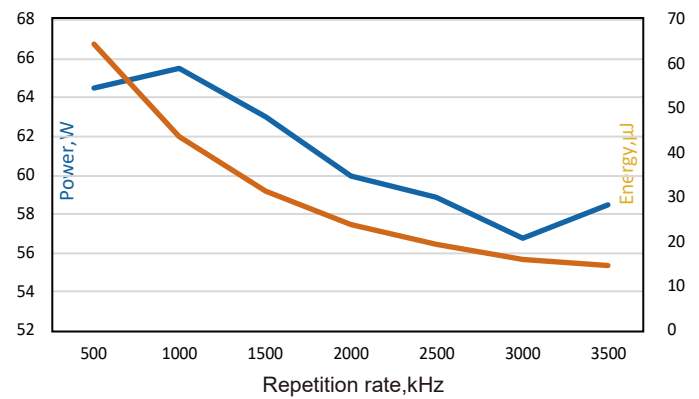
Typical Performance AMT-532-30W

Power and Energy as a Function of Repetition Rate



Typical Performance AMT-532-60W

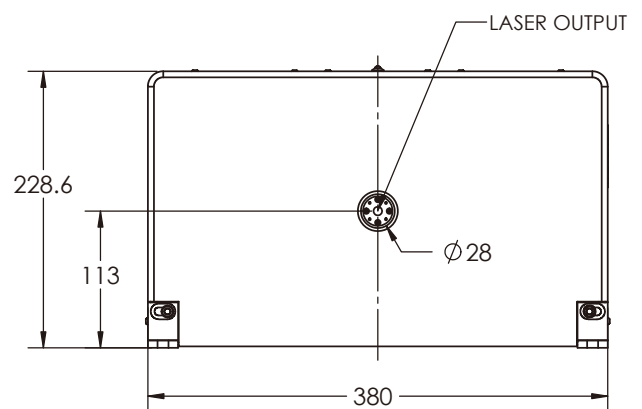
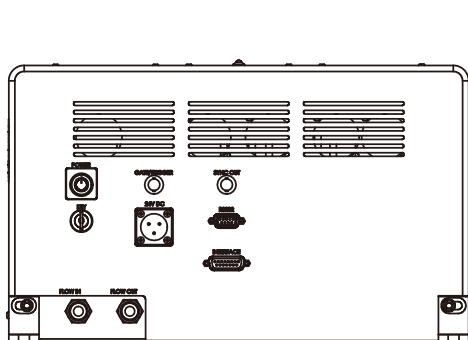
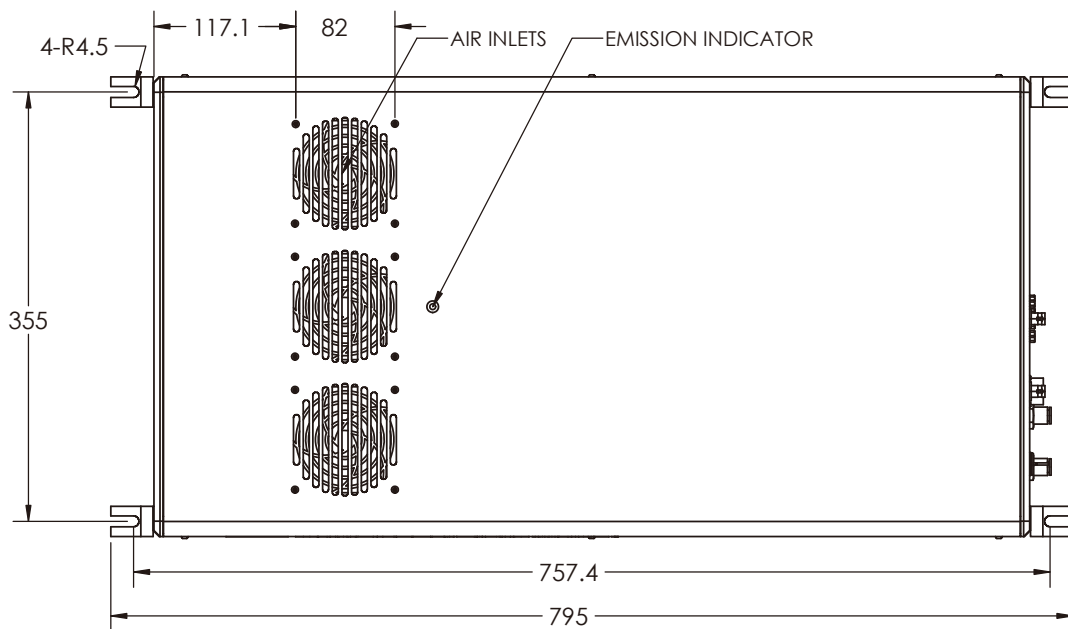
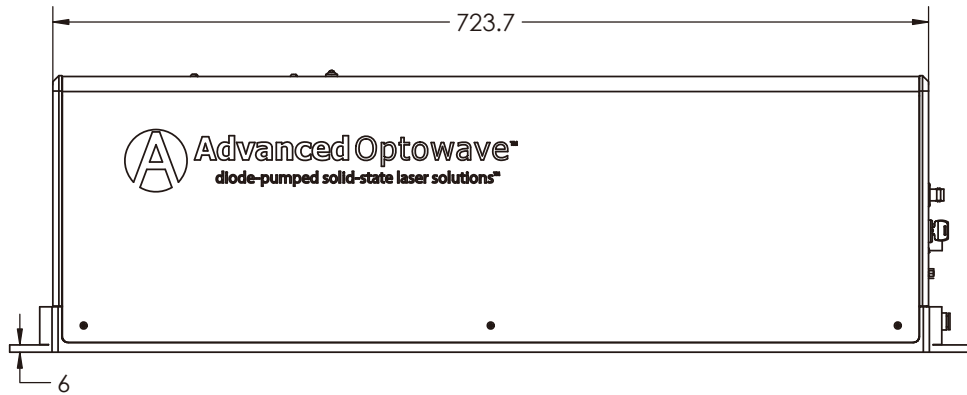
Power and Energy as a Function of Repetition Rate



### AOPICO MONTAUK 532

Specification	30W-1000K	60W-1000K
Wavelength (nm)	532	
Average Power (Watts)	> 30W	> 60W
Energy (µJ)	>30@1000KHz	>60@1000KHz
Specified Repetition Rate(kHz)	1000	
Repetition Rate (kHz)	500 ~ 3000	500 ~ 4000
Pulse Width (ps)	< 12	
Beam Quality (M <sup>2</sup> )	< 1.2	
Beam Roundness (%)	> 90	
Beam Diameter (mm)	< 3	
Beam Divergence (mRad)	< 2	
Point Stability (µrad/°C)	< 20	
Polarization Ratio	100:1 Linear, Vertical	
Pulse-to-Pulse Stability (% RMS)	< 2	
Average Power Stability(% over12 hours)	< 3	
Cold Start Warm-Up (mins.)	< 40	
Standby Warm-Up (mins.)	< 10	
Operational Temperature Range (°C)	15-35°C	
Operation Humidity Range (%)	20 to 80, non-condensing	
Storage Temperature Range (°C)	- 20 to 50	
Storage Humidity Range (%)	20 to 80, non-condensing	
Input Voltage (VDC)/Rated Power(W)	24/600	24/1000
Communication	RS232	
Cooling	Water	





**AOPico Montauk-532-50W**